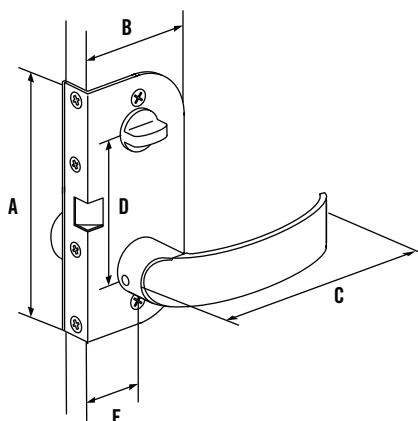


# CABIN & COCKPIT ENTRY HARDWARE ME Offshore Curved Version

	Imperial		Metric
	Nominal	Decimal	
A	4 37/64	4.587	116.5
B	2 5/32	2.165	55
C	3 15/16	3.937	100
D	2 7/16	2.441	62
E	1 3/16	1.181	30



## Curved Offshore



A

### Part Number Selector

**L** Locking Option

- 0 Privacy
- 1 Key Locking

**ME - 03 - D L T - FF**

**FF** Finish

- 10 Chrome
- 40 Diamond brass
- 60 Aluminium

**T** Door Thickness

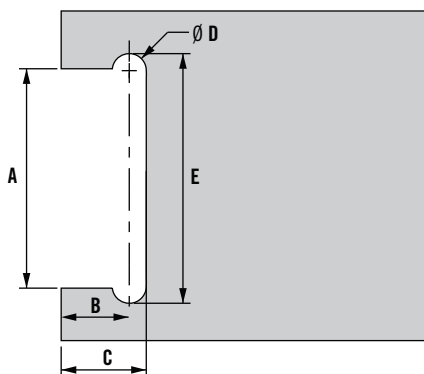
For thinner doors please add below spacer

- 1 12.7mm (1/2")
- 2 19mm (3/4")
- 3 25.4mm (1")

**D** Directional

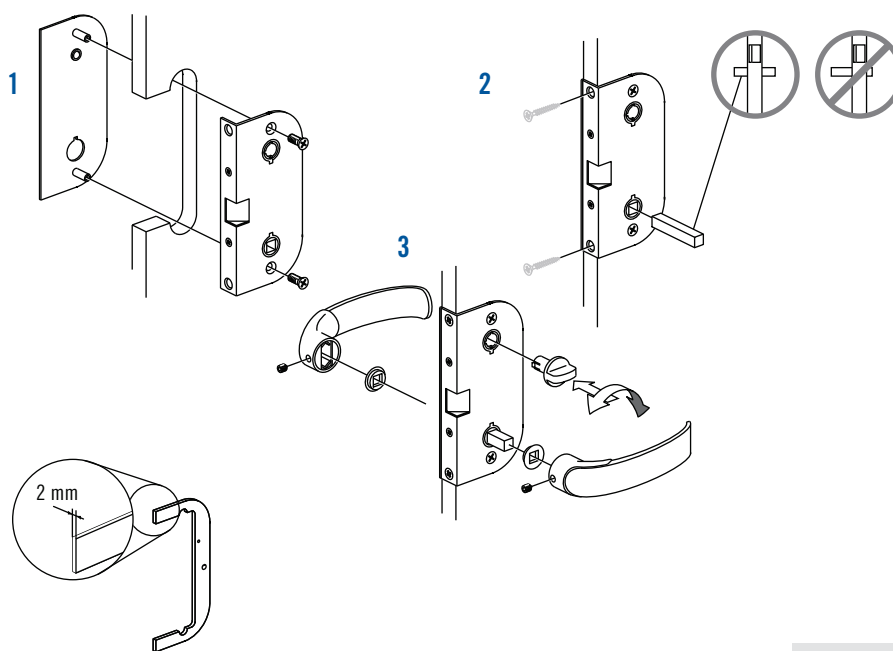
- 6 Right Out / Left In
- 7 Left Out / Right In

### Panel Preparation



	Imperial		Metric
	Nominal	Decimal	
A	3 21/32	3.65	93
B	1 3/32	1.09	28
C	1 21/32	1.65	42
D	1 3/32	1.09	28
E	4 1/32	4.00	102

### Installation



SPACER PART NUMBER	
Chrome, 2 mm (5/64")	ME-R8362

For strikers see page 23

